



**POWER PRESS ENGINEERS INDIA (P) LIMITED**





POWER PRESS ENGINEERS INDIA (P) LIMITED

## ABOUT US



- We provide customized engineering solutions to all industrial sectors ranging from automotive to power
- We specialize in installation, erection & commissioning of all machineries and plants
- We undertake major service and rebuilding of heavy machinery with focus on Reverse engineering and support many companies in running their equipment by indigenizing, engineering, manufacturing and supplying critical spares
- We help companies to source good quality used equipment and machineries across the world

INDIAN ETHOS GLOBAL PRESENCE



POWER PRESS ENGINEERS INDIA (P) LIMITED

**TRANSFORMATION**



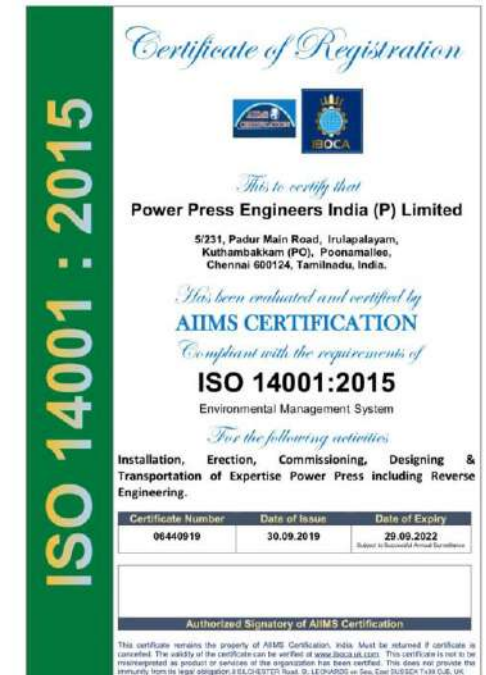
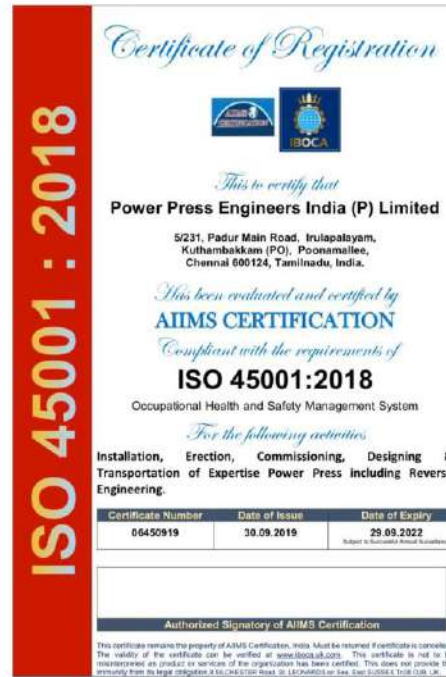
**“Here we started – in 2008”**



**“Here we are – today”**

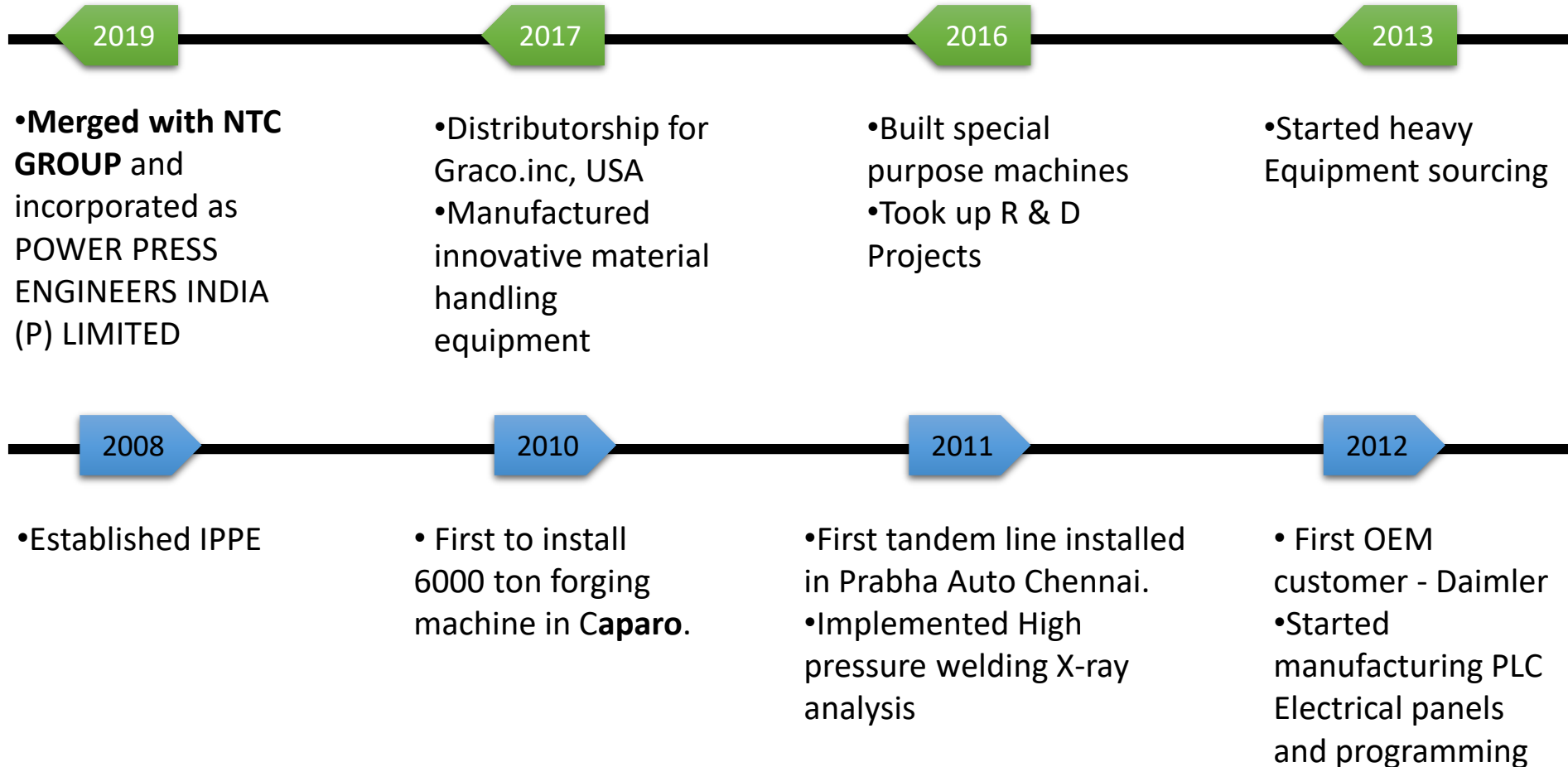


- Our engineering team works with customers to ensure a full understanding of system parameters and requirements
- From development through production, our commitment to quality comes through for you
- Work towards process flow and completing the project before the deadline
- Critical & surgical projects completion with innovation
- Delivery quality





## MILESTONES





POWER PRESS ENGINEERS INDIA (P) LIMITED

# VISION & MISSION



## Vision

To add maximum value to the customers' project by using our expertise and experience

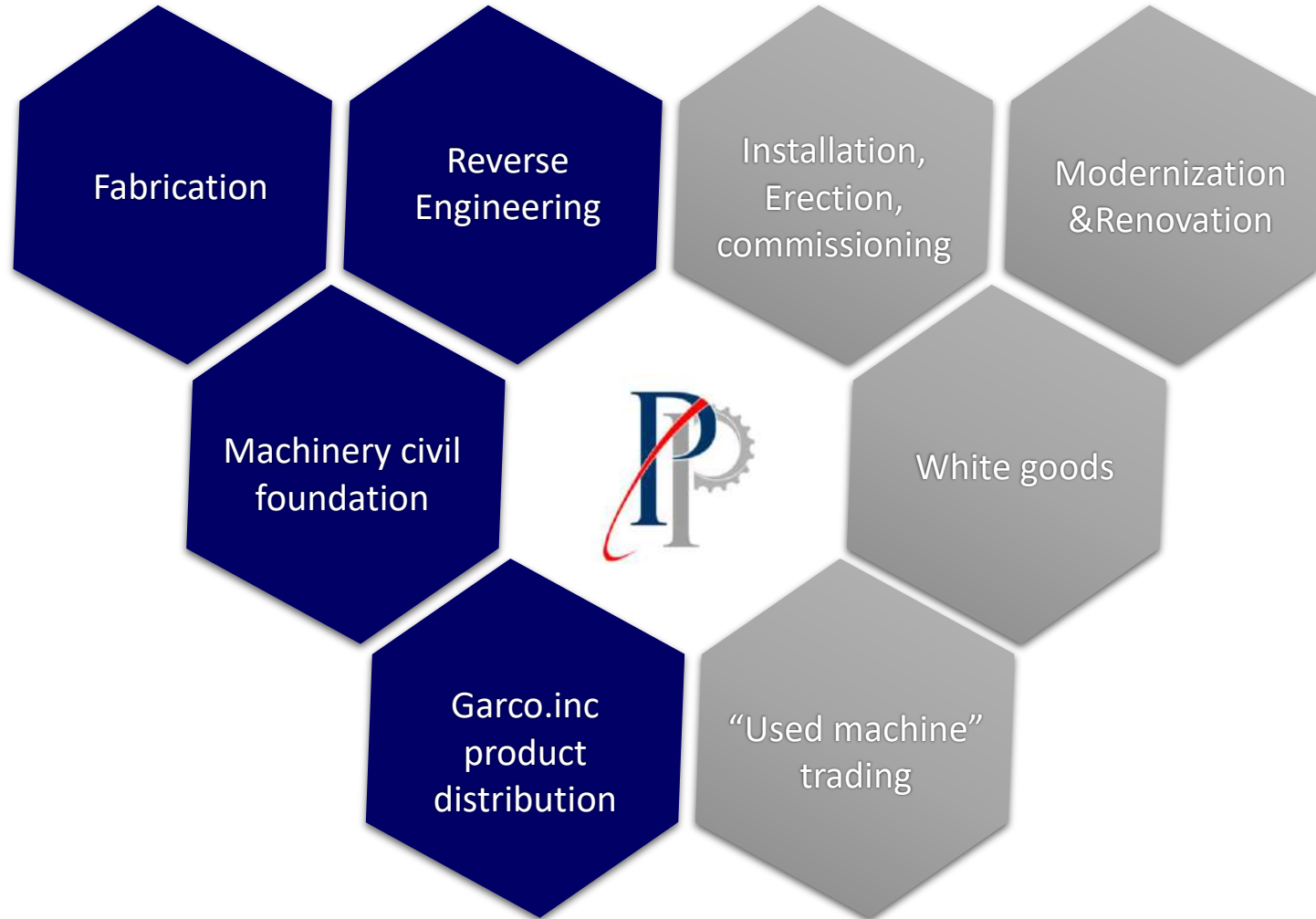
## Mission

- To be the first preference for equipment consulting and installation, erection and commissioning projects
- To be a self-reviewing organization in perpetuity by adopting TQM as a way of life.
- we believes in the importance of the process. People and projects will be evaluated both by their end results and the process adopted.



POWER PRESS ENGINEERS INDIA (P) LIMITED

# OUR SERVICES



INDIAN ETHOS GLOBAL PRESENCE



POWER PRESS ENGINEERS INDIA (P) LIMITED

# OUR STRENGTH



INDIAN ETHOS GLOBAL PRESENCE



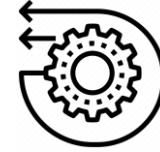


**POWER PRESS ENGINEERS INDIA (P) LIMITED**

**FOCUS**



**AUTOMOTIVE  
INDUSTRY**



**REVERSE  
ENGINEERING**



**RENEWABLE  
SECTORS**



**MATERIAL  
HANDLING**



**ENERGY SECTOR**



**OIL & GAS FIELD**



**OVERSEAS  
PROJECT**

**INDIAN ETHOS GLOBAL PRESENCE**

# QUALITY CONTROL



- Our engineering team works with customers to ensure a full understanding of system parameters and requirements
- From development through production, our commitment to quality comes through for you
- Work towards process flow and completing the project before the dead-line
- Critical & surgical projects completion with innovation
- Delivery quality



# SAFETY MEASURES



- 5S safety measures
- A safe working Environment
- Safe systems of work
- Plant and substances in safe condition
- Facilities for welfare of all workers
- Any information, instruction, training, & supervision needed to make sure that all the workers are safe from injury and risk to their health.
- Safety training will be provided before every project starts and team leader are trained to use safety equipments





POWER PRESS ENGINEERS INDIA (P) LIMITED

# OUR VALUABLE CLIENTS



INDIAN ETHOS GLOBAL PRESENCE



POWER PRESS ENGINEERS INDIA (P) LIMITED

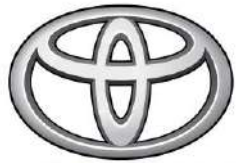
# OUR VALUABLE CLIENTS



**Panasonic**



**SCHULER**



**TOYOTA**



**Siempelkamp**  
Maschinen- und Anlagenbau

**Bimetal Bearings Limited**



**SMS group**

**SYNERGY**  
AUTOMOTIVE & FINANCE CREDIT BROKER

**Harita Fehrer** Harita Fehrer Limited

INDIAN ETHOS GLOBAL PRESENCE



POWER PRESS ENGINEERS INDIA (P) LIMITED

# CASE STUDIES



TI MEAL FORMING (TN)

**Job Type:** End to end Installation

**Machine Capacity :** 1050T



DIAMLER (TN)

**Job Type :** End to end Installation

**Machine Capacity :** 5000T Press



POWER PRESS ENGINEERS INDIA (P) LIMITED

# CASE STUDIES



PLASTIC OMNIUM, GJ

**Job Type :** Electrical Panel Manufacturing for Blow moulding machine



CAPARO (TN)

**Job Type :** Installation

**Machine Capacity :** 2500T



POWER PRESS ENGINEERS INDIA (P) LIMITED

# CASE STUDIES



INERGY AUTOMATIVE PVT.LTD (TN)  
**Job Type** :Installation of Blow moulding machine



PLASTIC OMNIUM (GJ)  
**Job Type** :Installation of Blow moulding machine





POWER PRESS ENGINEERS INDIA (P) LIMITED

# CASE STUDIES



PRABHA AUTO (TN)

**Job Type** : Installation , Erection & commissioning

**Machine Capacity** : 500T & 800T Press



BIMETAL BEARING (TN)

**Job Type** : Installation , Erection & commissioning

**Machine Capacity** : 200T Press



EVER BRIGHT PRODUCTS (TN)

**Job Type** :Installation , Erection & commissioning

**Machine Capacity** : 500T Press



WHEELS INDIA LTD (TN)

**Job Type** :Installation , Erection & commissioning

**Machine Capacity** : 2500T Press



BAY FORGE LTD (TN)

**Job Type** : Installation , Erection & commissioning

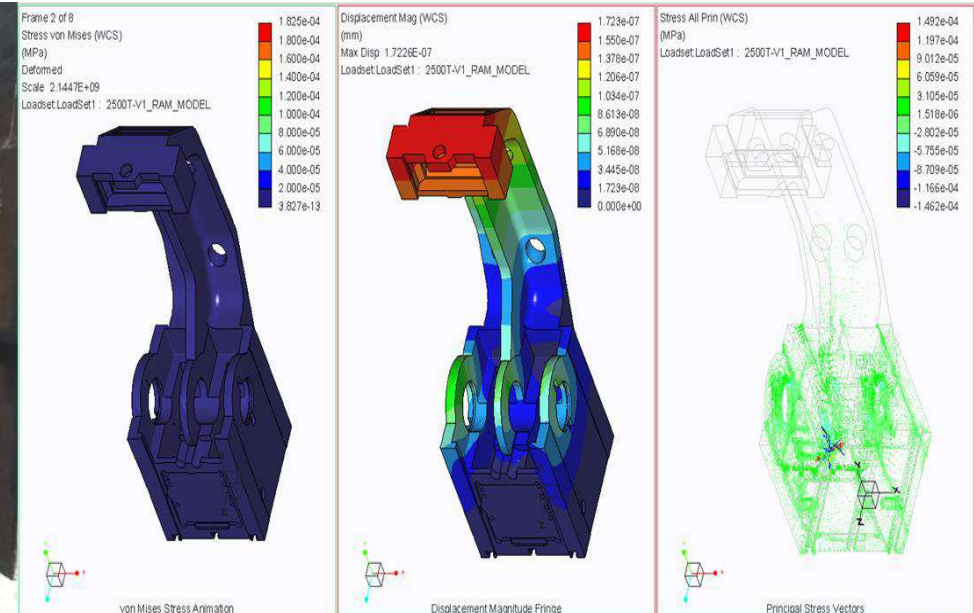
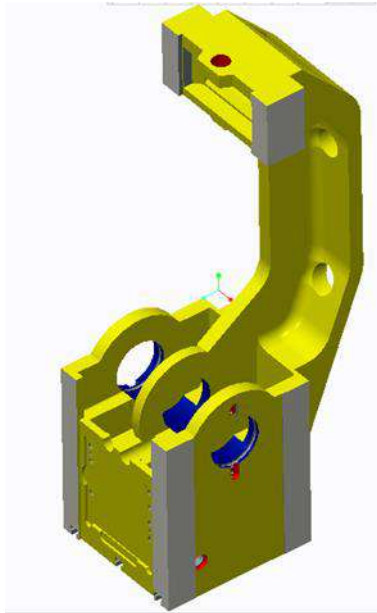
**Machine Capacity** : 3500T water press



HARITA FHERARE PVT LTD (TN)

**Job Type** : Design, Manufacturing, Erection & commissioning

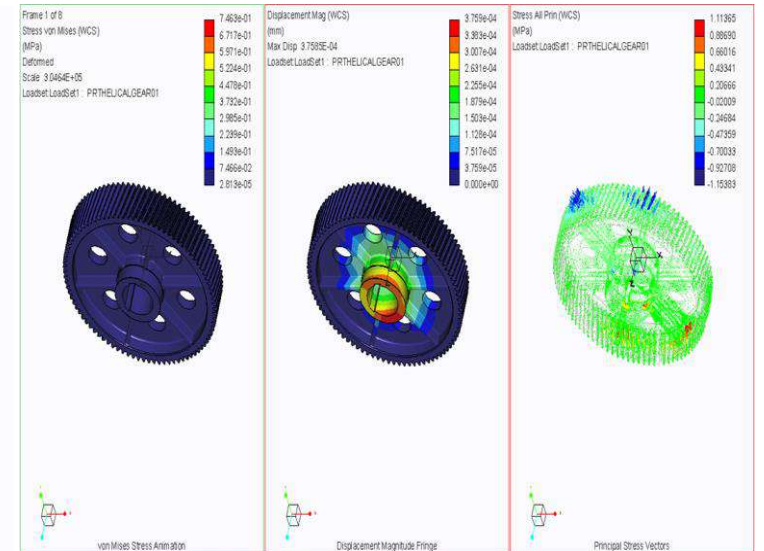
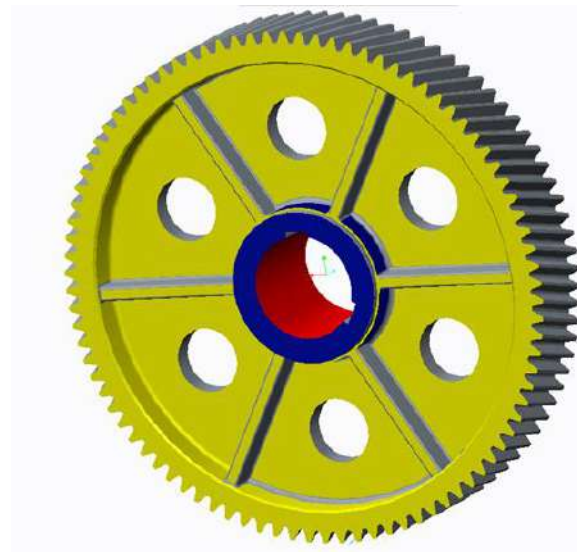
**Machine Capacity** : 20T Die changer



BILL FORGE LTD (KA)

**Job Type :** Design, Manufacturing & Analysis

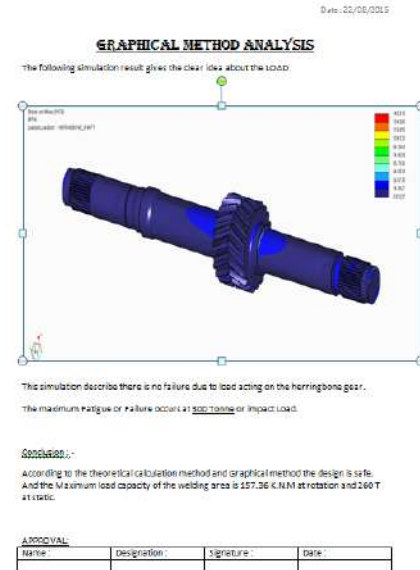
Machine Capacity :2500T press Ram



TI METAL FORMING (TN)

**Job Type** : Design, Manufacturing & Analysis

Machine Capacity :1050T press Gear



TOYOTA (KA)

**Job Type :** Design, Manufacturing & Analysis  
Machine Capacity :300T press Helical Gear



NISSAN (TN)

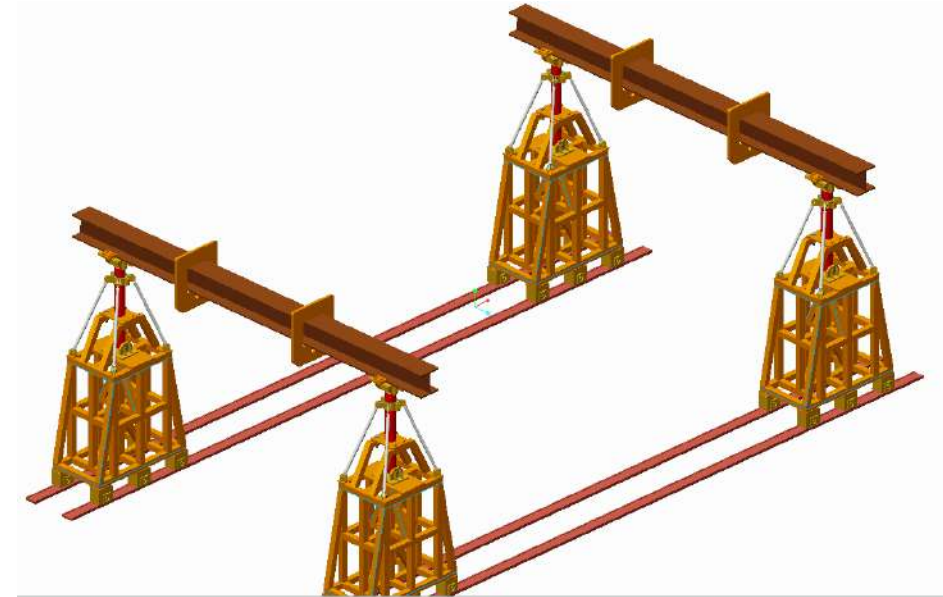
**Job Type :** Design, Manufacturing & Analysis,  
Installation.  
Machine Capacity :1200T press Helical Gear



TOYOTA KIRLOSKER (KA)

**Job Type** : Design & Health Inspection

**Machine Capacity** : 800T press Gear



OWN PRODUCT

**Job Type** : Design & manufacturing of 4 point jack

**Machine Capacity** : 40T



# POWER PRESS ENGINEERS INDIA (P) LIMITED GANTRY WORKS AT PLASTIC OMNIUM



PLASTIC OMNIUM (RANIPET)  
**Job Type : BMM INSTALLATION**

INDIAN ETHOS GLOBAL PRESENCE





POWER PRESS ENGINEERS INDIA (P) LIMITED

GANTRY WORKS NASH INDUSTRIES



NASH INDUSTRIES

Job Type : 1250 T MACHINE INSTALLATION

Machine Capacity : 1250TON

INDIAN ETHOS GLOBAL PRESENCE

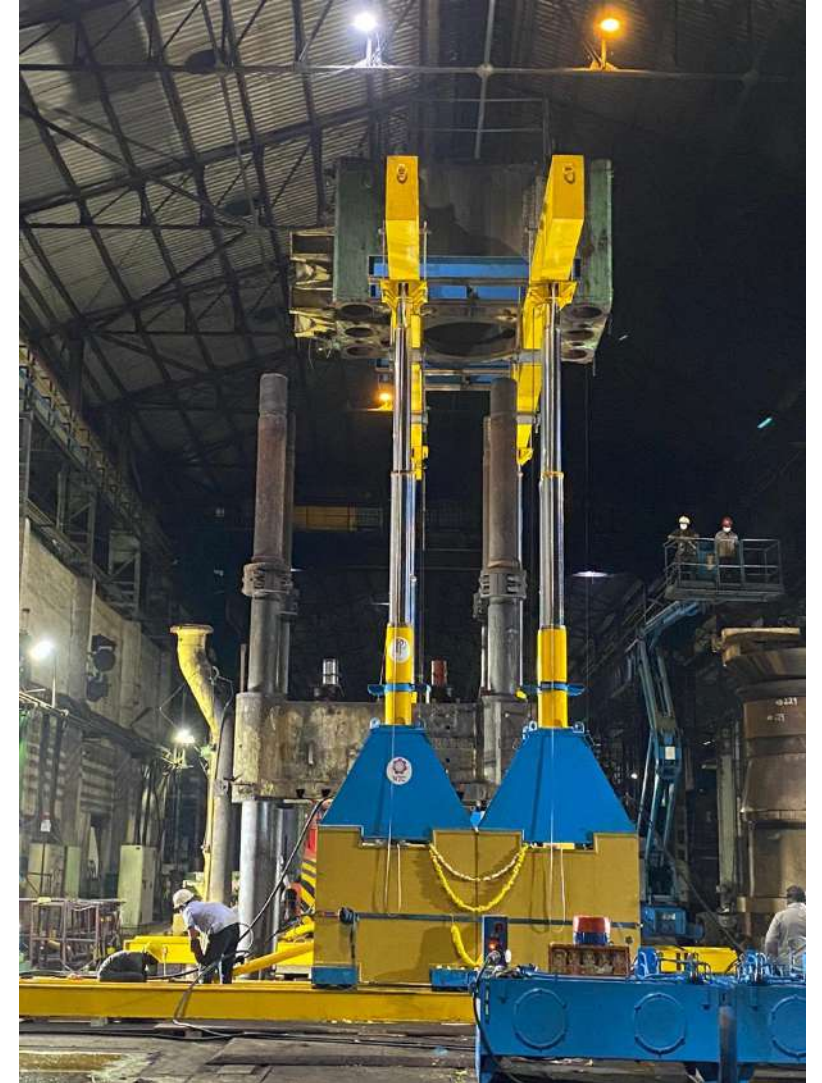


POWER PRESS ENGINEERS INDIA (P) LIMITED

# GANTRY WORK AT BAY FORGE



**BAY FORGE (TN)**  
**Job Type : Machine Recondition**  
**Machine Capacity : 3500T Press**



INDIAN ETHOS GLOBAL PRESENCE



POWER PRESS ENGINEERS INDIA (P) LIMITED

# RE CASE STUDIES



ASTRUM (TN)

**Job Type :** Transfer Press Installation

**Machine Capacity :** 400T press Gear



ASHOK LEYLAND (TN)

**Job Type :** Design and manufacturing

**Machine Capacity :** 800T press slide screw



POWER PRESS ENGINEERS INDIA (P) LIMITED

# PROJECT COMPLETION AWARDS



1050T Installation & Erection



Stamping Plant Installation



End to end Installation of 2800 degree Furnace



POWER PRESS ENGINEERS INDIA (P) LIMITED



**THANK YOU**

INDIAN ETHOS GLOBAL PRESENCE